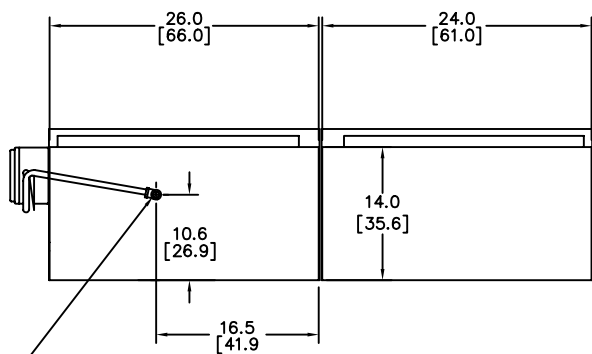


SIDE VIEW

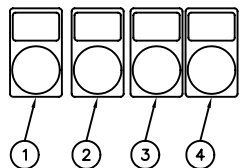


PRESSURE CONNECTION  
1/2" N.P.T. FEMALE THREAD

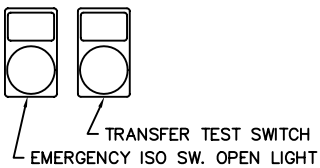
BOTTOM VIEW

PILOT DEVICE LEGEND

1. START PUSH BUTTON
2. STOP PUSH BUTTON
3. POWER ON LIGHT
4. PHASE REVERSAL LIGHT




PILOT DEVICE DETAIL



PILOT DEVICE DETAIL  
TRANSFER SWITCH

NOTES:

ALL DIMENSIONS ARE SHOWN  
IN INCHES & CENTIMETERS ([ ]).

DRAWN	J.I.	12-20-94	 <b>METRON, INC.</b> DENVER, CO.
CHECK	ML	12-21-94	
APPD	XX/XX	12-21-94	
OUTLINE DIMENSION MODEL M30A & M30B LIMITED SERVICE ELECTRIC FIRE PUMP CONTROLLER WITH TRANSFER SWITCH - UTILITY/GEN SET			CD32340D SCALE N.T.S. SHEET 1 OF 1